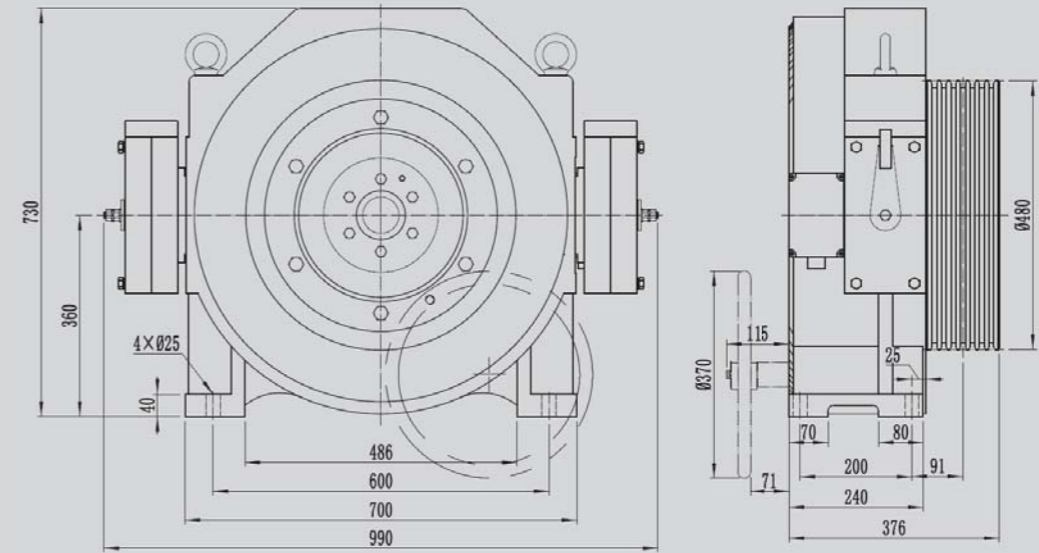


MCK500



安装尺寸图
DIMENSIONS

Permanent Magnet Synchronous Gearless Traction Machine 永磁同步无齿轮曳引机

电源电压	Voltage	380V
悬挂比	Roping	2:1
绕绳方式	Wrap	单绕(Single)
额定载重	Elv. Load	1600-2000kg
电梯速度	Elv. Speed	0.5-2.5m/s
曳引轮节径	Sheave Diam	480mm
工作制	Duty	S5-40%ED
起动次数	Starts Per Hour	240st/h
最大轴静载	Max. Static Load	10000kg
自重	Weight	765kg
制动器	Brake	DC110V 2x1.2A
防护等级	IP Code	IP41
绝缘等级	Ins. Class	F

规格表 / SPEC. SHEET

型号	规格	电梯载重	额定梯速	曳引轮直径	曳引轮绳槽	额定电流	额定功率	额定转速	额定频率	额定转矩	电机极数	推荐切口角
Type	Spec	Elv Load	Elv Speed	Sheave Dia	Sheave Groove	Current	Power	Speed	Freq	Torque	Poles	Undercut Angle
		kg	m/s	mm		A	kW	r/min	Hz	N.m		°
MCK500	1600-0.5A	1600	0.5	480	6 × Φ12 × 17	18	5.6	40	16.0	1330	48	95
MCK500	1600-0.63A	1600	0.63	480	6 × Φ12 × 17	18	7.0	50	20.0	1330	48	
MCK500	1600-1.0A	1600	1.0	480	6 × Φ12 × 17	27	11.1	80	32.0	1330	48	
MCK500	1600-1.5A	1600	1.5	480	6 × Φ12 × 17	44	16.6	119	47.6	1330	48	
MCK500	1600-1.6A	1600	1.6	480	6 × Φ12 × 17	44	17.7	127	50.8	1330	48	
MCK500	1600-1.75A	1600	1.75	480	6 × Φ12 × 17	44	19.4	139	55.6	1330	48	
MCK500	1600-2.0A	1600	2.0	480	6 × Φ12 × 17	49	22.1	159	63.6	1330	48	
MCK500	1600-2.5A	1600	2.5	480	6 × Φ12 × 17	60	27.7	199	79.6	1330	48	
MCK500	2000-0.5A	2000	0.5	480	7 × Φ12 × 17	22	7.0	40	16.0	1660	48	
MCK500	2000-0.63A	2000	0.63	480	7 × Φ12 × 17	22	8.7	50	20.0	1660	48	
MCK500	2000-1.0A	2000	1.0	480	7 × Φ12 × 17	31	13.9	80	32.0	1660	48	
MCK500	2000-1.5A	2000	1.5	480	7 × Φ12 × 17	53	20.7	119	47.6	1660	48	
MCK500	2000-1.6A	2000	1.6	480	7 × Φ12 × 17	53	22.1	127	50.8	1660	48	
MCK500	2000-1.75A	2000	1.75	480	7 × Φ12 × 17	53	24.2	139	55.6	1660	48	
MCK500	2000-2.0A	2000	2.0	480	7 × Φ12 × 17	61	27.6	159	63.6	1660	48	

注 Remark:

1、本机型亦可用于无机房。The machine can also be used for machine roomless.

2、制动器可选配交流220V整流模块。Optional AC 220V rectifier for brake.

3、样本切口角为推荐值，可根据实际工况要求选择切口角度。The above is recommended value of cut angle, it's optional according to practical condition.